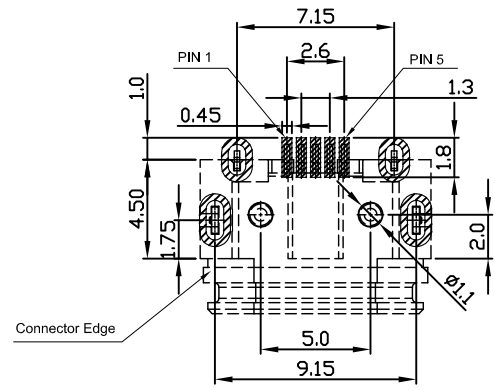
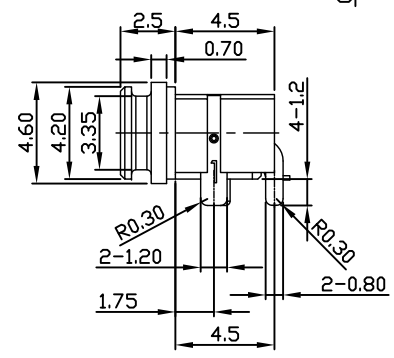
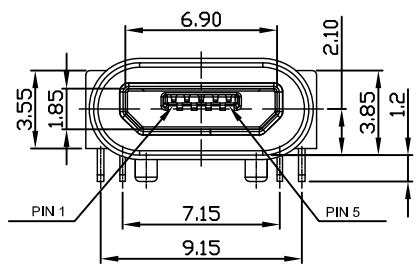
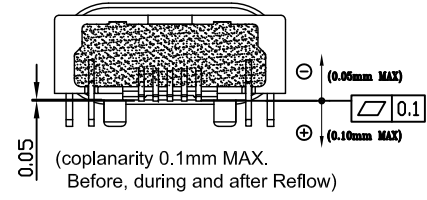
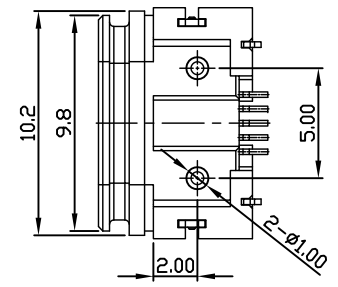
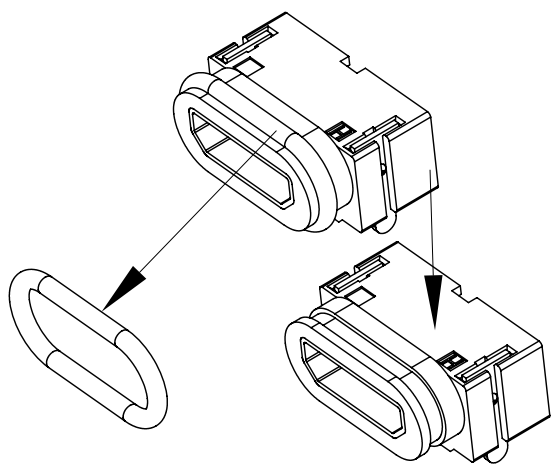



O-Ring Asm Dim-Reference



Recommend of PC Board Holes
Tolerance : ±0.05(Top view)



6	Oval ring	1	SILICONE	GRAY
5	TERMINAL	1	C2680	TIN PLATED
4	CONTACT	5	C18140H	Gold flash plating Matte Tin 0u'min on solder tail Nickel 40u'min plating allowver.
3	SHELL	1	SUS 304	NICKEL PLATED
2	INSERT MOLDING	1	LCP	UL94V-0 Black
1	HOUSING	1	PA9T	UL94V-0 Black
NO	PART NAME	Q'TY	MATERIAL	PLATED



LIH SHENG PRECISION INDUSTRIAL CO., LTD.

TOLERANCE	Material	PART NAME	<i>Mirco Usb Waterproof JACK</i>		
<i>X.X ±0.3</i>		PART NO.	<i>LUS-BW004-06</i>		
<i>X.XX ±0.25</i>	Thickness	DATE	<i>02/MAY/23'</i>	REV:A	
<i>X.XX ±0.20</i>	Disposal	DRAW	<i>CHECK</i>	APPROVED	
⊕	UNIT	SCALE	<i>Chris</i>	<i>Wen1</i>	<i>Yen</i>
	mm	4:1			