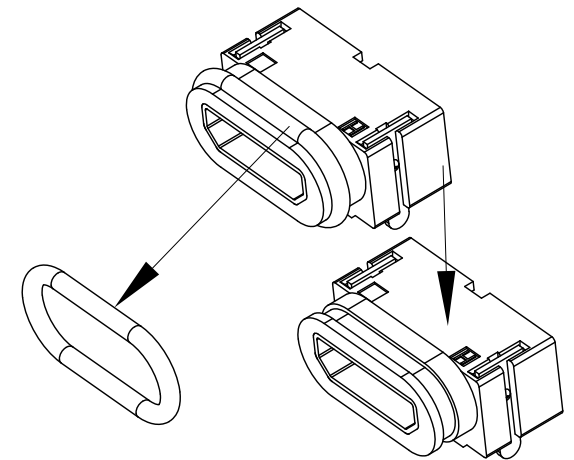
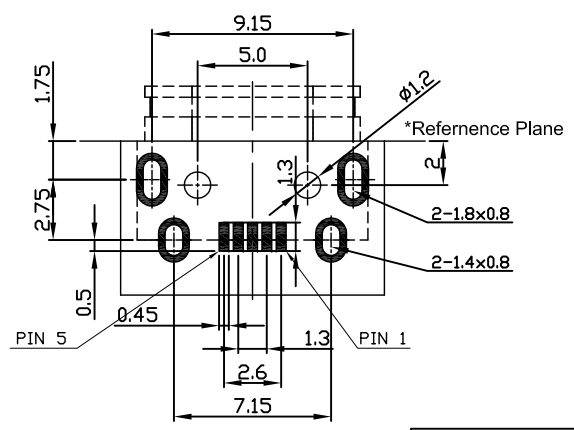
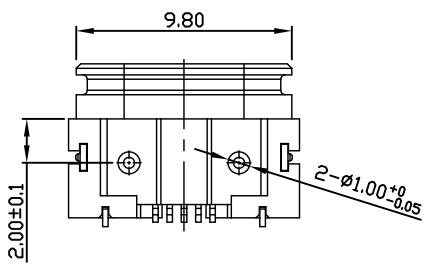
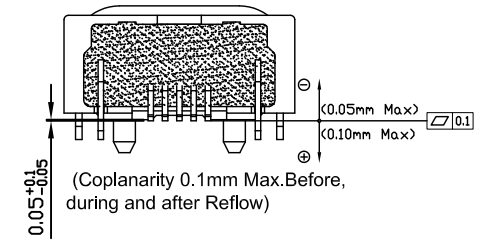
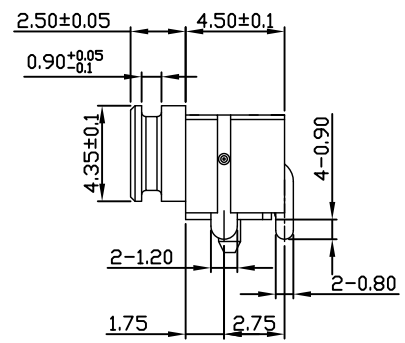
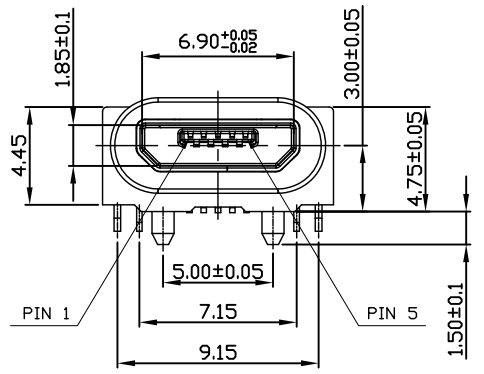


O-Ring Asm Dim-Reference



RECOMMENDED of PC board holes
 Tolerance : ±0.05(Top view)



LIH SHENG PRECISION INDUSTRIAL CO., LTD.

6	Dval ring	1	SILICONE	GRAY
5	TERMINAL	1	C2680	TIN PLATED
4	CONTACT	5	Copper Alloy	GOLD FLASH ON CONTACT AREA, TIN 120μ' ON SOLDER AREA, ALL OVER NI PLATED
3	SHELL	1	STAINLESS STEEL	NICKEL PLATED
2	COVER	1	PA9T	UL94V-0 Black
1	HOUSING	1	LCP	UL94V-0 Black
NO	PART NAME	Q'TY	MATERIAL	PLATED

TOLERANCE X.X ±0.3 X.XX ±0.25 X.XX ±0.20	Material		PART NAME	Mirco Usb Waterproof JACK	
	Thickness		PART NO.	LUSBW003-06	
	Disposal		DATE	02/MAY/23'	REV:A
UNIT mm	SCALE	4:1	DRAW	Chris	APPROVED
			CHECK	Wen1	Yen