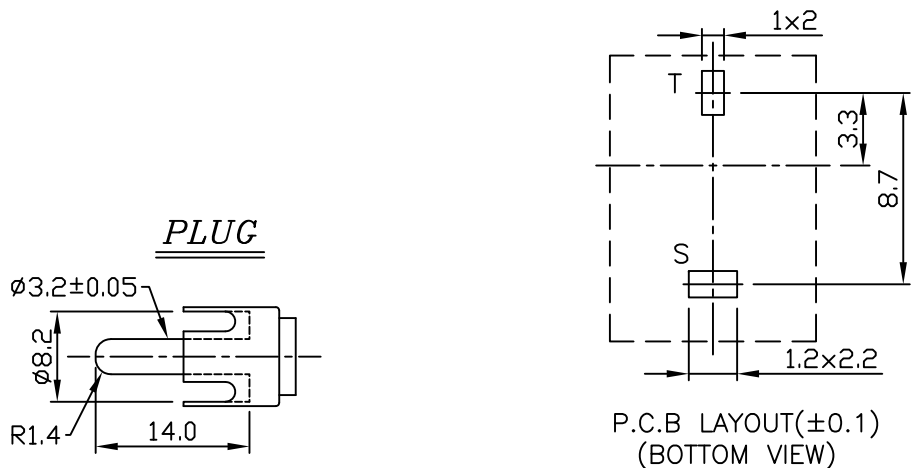
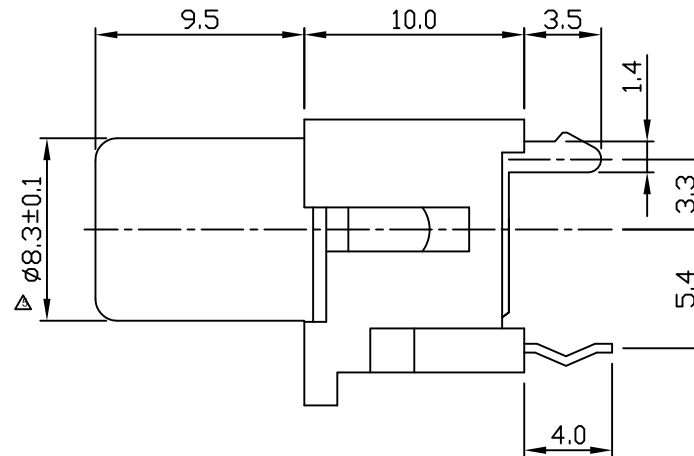
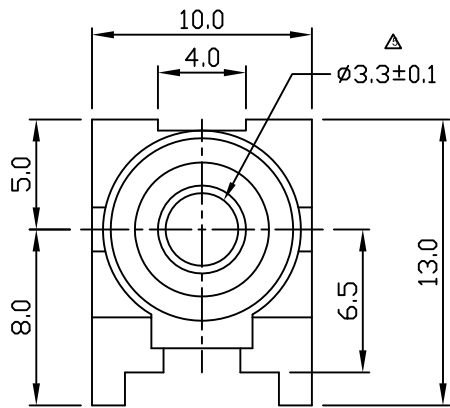


HISTORY X COUNT	DATE	ECN NO.	REV.	REVISION	SIGN.
△	25/JAN/16'		c	修改圖面。	Chris
△ x2	21/JUL/23'		d	增加公差。	Chris



	HOUSING COLOR	SLEEVE PLATED NI	
	RED	-2R	-2R-G
	BLUE	-2L	-2L-G
	WHITE	-2W	-2W-G
	BLACK	-2B	-2B-G
	GREEN	-2GR	-2GR-G
	YELLOW	-2Y	-2Y-G
	ORANGE	-2OR	-2OR-G



**LIH SHENG PRECISION
INDUSTRIAL CO., LTD.**

TOLERANCE X. ±0.5 X.X ±0.3 X.XX ±0.15	Material		PART NAME	RCA JACK	
	Thickness		PART NO.	LP-0848-2	
	Disposal		DATE	12/13/91'	REV: D
	UNIT	SCALE	DRAW	CHECK	APPROVED
	mm	3:1	Chris	Ken	Cooper

NO	PART NAME	Q'TY	MATERIAL	PLATED	REMARK
3	HOUSING	1	PBT		
2	TIP	1	BRASS	Sn/Cu	
1	SLEEVE	1	IRON SHEET	NICKEL	