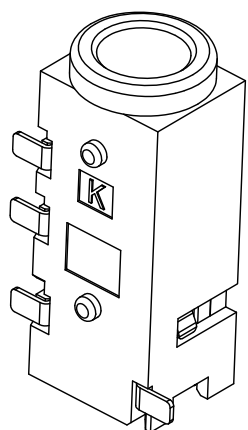
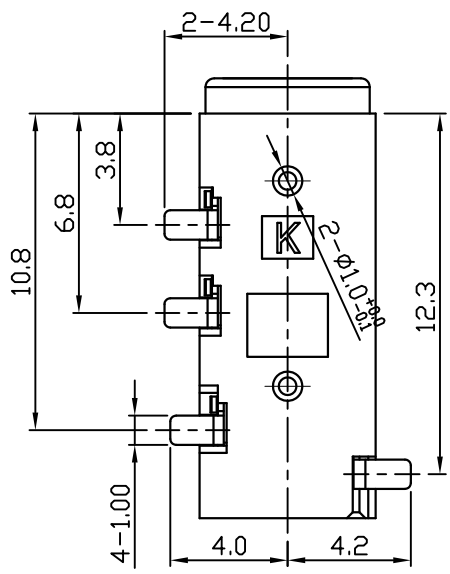
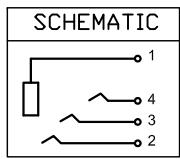
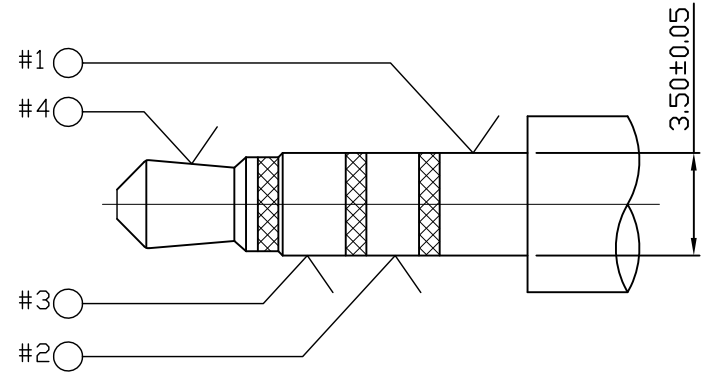


RECOMMENDED PCB LAYOUT
TOLERANCE: ±0.05
(TOP VIEW)



Ø3.5 MATE PLUG



LIH SHENG PRECISION INDUSTRIAL CO., LTD.

5	HOUSING	1	PA9T	BLACK
4	TERMINAL 4	1	PHOSPHOR BRONZE	SILVER PLATED
3	TERMINAL 3	1	PHOSPHOR BRONZE	SILVER PLATED
2	TERMINAL 2	1	PHOSPHOR BRONZE	SILVER PLATED
1	TERMINAL 1	1	PHOSPHOR BRONZE	SILVER PLATED
NO	PART NAME	Q'TY	MATERIAL	REMARK

<p>TOLERANCE</p> <p>XX ±0.30</p> <p>X.XX ±0.25</p> <p>X.XXX ±0.20</p>	Material		PART NAME	EARPHONE JACK(SMT)	
	Thickness		PART NO.	LJE0382-4P-10A	
	Disposal		DATE	03/OCT/22'	REV:A
	UNIT	SCALE	DRAW	CHECK	APPROVED
	mm	4:1	Chris	Wen1	Yen