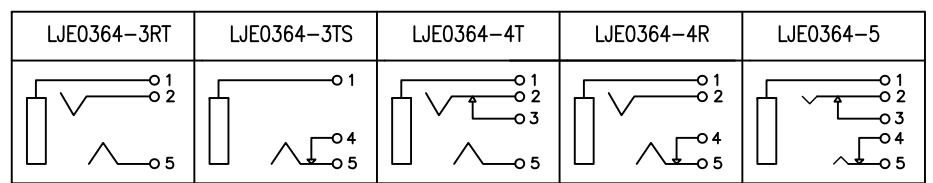
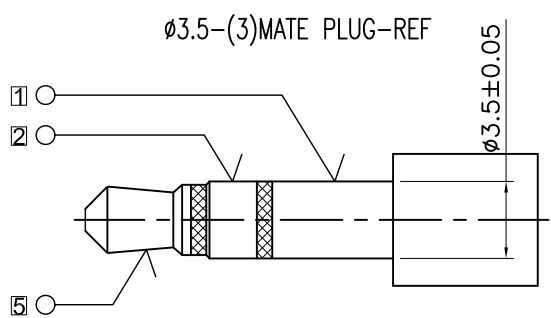
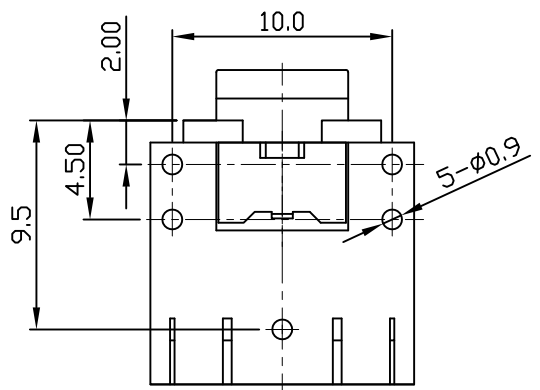



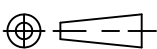
RECOMMENDED PCB LAYOUT
TOLERANCE: ±0.05
(TOP VIEW)



7	HOUSING	1	PBT	BLACK
6	BUSHING	1	BRASS	NICKEL PLATED
5	TERMINAL 5	1	STAINLESS STEEL	SILVER PLATED
4	TERMINAL 4	1	BRASS	SILVER PLATED
3	TERMINAL 3	1	BRASS	SILVER PLATED
2	TERMINAL 2	1	STAINLESS STEEL	SILVER PLATED
1	TERMINAL 1	1	COPPER ALLOY	SILVER PLATED
NO	PART NAME	Q'TY	MATERIAL	REMARK



LIH SHENG PRECISION INDUSTRIAL CO., LTD.

TOLERANCE XX ±0.30 XXX ±0.25 XXXX ±0.20	Material		PART NAME	EARPHONE JACK	
	Thickness		PART NO.	LJE0364-5-10A	
	Disposal		DATE	06/FEB/23'	REV:A
	UNIT	SCALE	DRAW	CHECK	APPROVED
	mm	3:1	Chris	Wen1	Yen