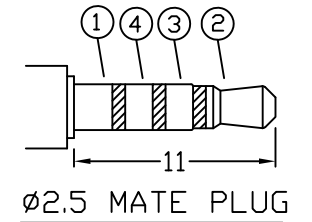
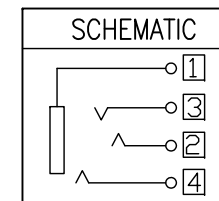
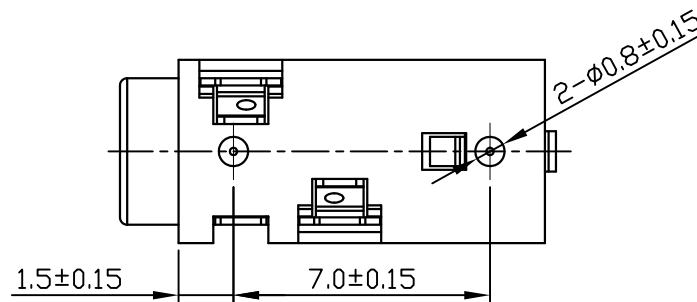
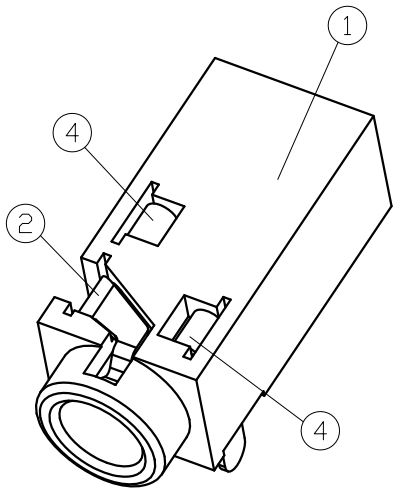


RECOMMENDED PCB LAYOUT
Tolerance : ±0.05<BOTTOM VIEW>



LIH SHENG PRECISION INDUSTRIAL CO., LTD.

5	HOUSING	1	PA10T	BLACK (UL-94V 0)
4	TERMINAL 4	1	COPPER ALLOY	Gold Flash
3	TERMINAL 3	1	COPPER ALLOY	Gold Flash
2	TERMINAL 2	1	COPPER ALLOY	Gold Flash
1	TERMINAL 1	1	COPPER ALLOY	Gold Flash
NO	PART NAME	Q'TY	MATERIAL	REMARK

TOLERANCE	Material	PART NAME	EARPHONE JACK	
X.X ±0.30	Thickness	PART NO.	LJE0267A-4P-G-10H	
X.XX ±0.25	Disposal	DATE	06/DEC/23'	REV:A
X.XXX ±0.20	UNIT	DRAW	CHECK	APPROVED
⊕	mm	SCALE	5:1	
		DRAW	Chris	
		CHECK	Wen1	
		APPROVED	Yen	