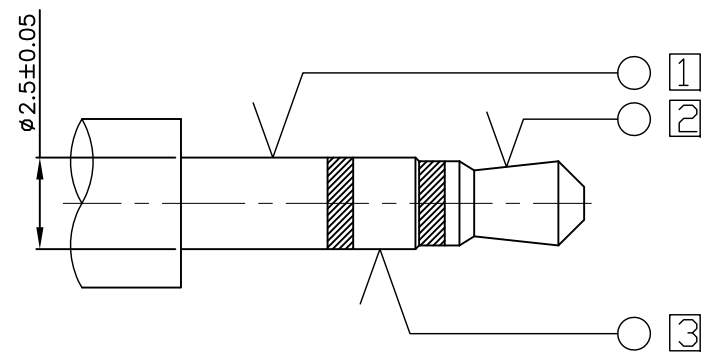
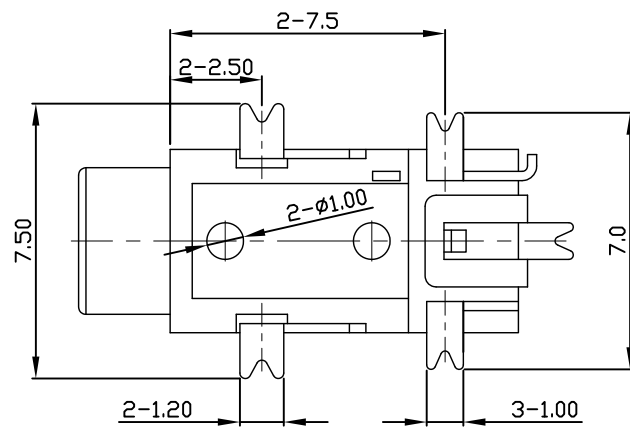
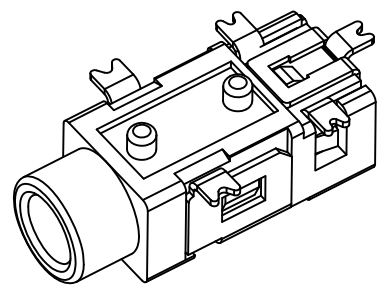
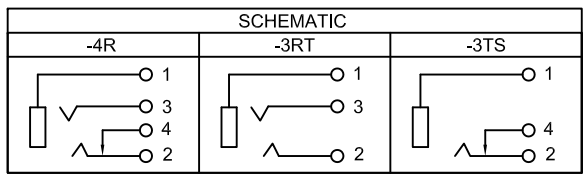


RECOMMENDED PCB LAYOUT
TOLERANCE: ±0.05
(TOP VIEW)



φ2.5-(3) MATE PLUG-REF



LIH SHENG PRECISION INDUSTRIAL CO., LTD.

5	HOUSING	1	PA10T	UL94V-0 (BLACK)
4	TERMINAL 4	1	C2680	Gold Flash
3	TERMINAL 3	1	C5210	Gold Flash
2	TERMINAL 2	1	C5210	Gold Flash
1	TERMINAL 1	1	C5210	Gold Flash
NO	PART NAME	Q'TY	MATERIAL	REMARK

TOLERANCE X.X ±0.25 X.XX ±0.20 X.XXX ±0.15	Material		PART NAME	EARPHONE JACK (SMT)	
	Thickness		PART NO.	LJE0260-4R-G-10H	
	Disposal		DATE	09/MAR/23'	REV:A
UNIT mm	SCALE	5:1	DRAW	Chris	APPROVED
			CHECK	Wen1	Yen