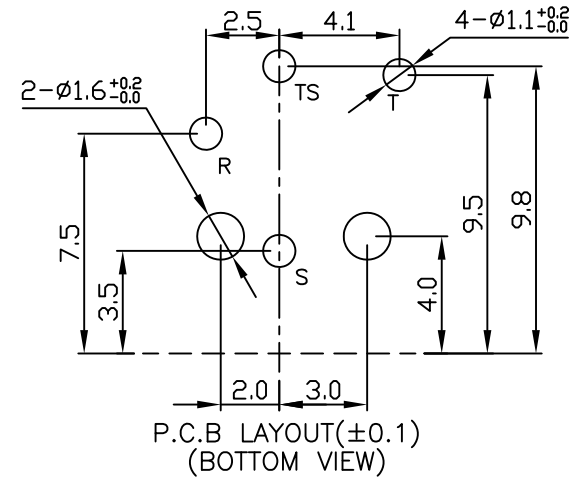
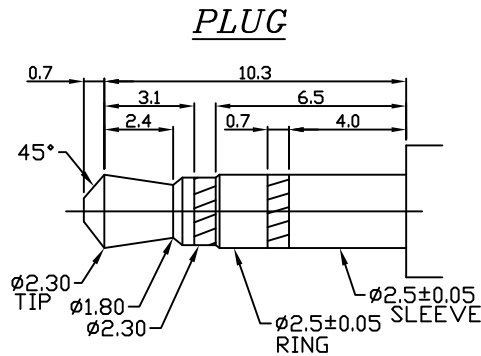
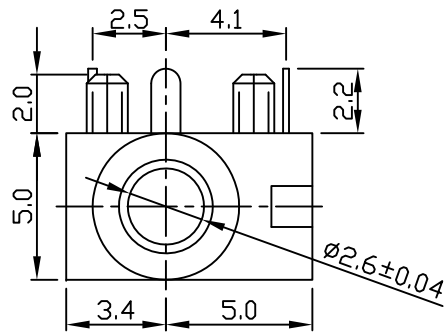
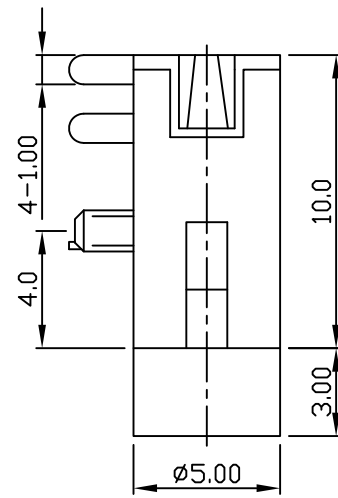
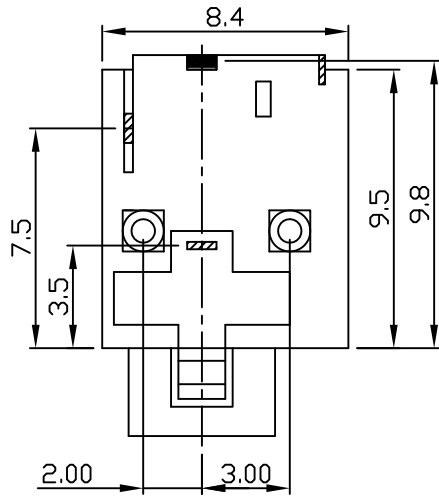


HISTORY X COUNT	DATE	ECN NO.	REV.	REVISION	SIGN.
△ x1	NOV/27/07		B	修改線路圖。	Chris
△ x4	SEP/05/11'	N201109002	C	變更電鍍：鍍錫改為鍍鎳。	Chris



MODEL NO.	LJE0252-B	LJE0252-3RT	LJE0252-4R
SCHEMATIC			



LIH SHENG PRECISION INDUSTRIAL CO., LTD.

NO	PART NAME	Q'TY	MATERIAL	PLATED	REMARK
5	HOUSING	1	PBT		BLACK
4	RING	1	P.B.S	Matte Tin △	
3	TIP	1	P.B.S	Matte Tin △	
2	TIP SHUNT	1	BRASS	Matte Tin △	
1	SLEEVE	1	P.B.S	Matte Tin △	

TOLERANCE X. ±0.5 X.X ±0.3 X.XX ±0.15	Material		PART NAME	EARPHONE JACK	
	Thickness		PART NO.	LJE0252-4R	
	Disposal		DATE	09/09/98'	REV: C
	UNIT	SCALE	DRAW	CHECK	APPROVED
	mm	4:1	Leo	Chris	Chris