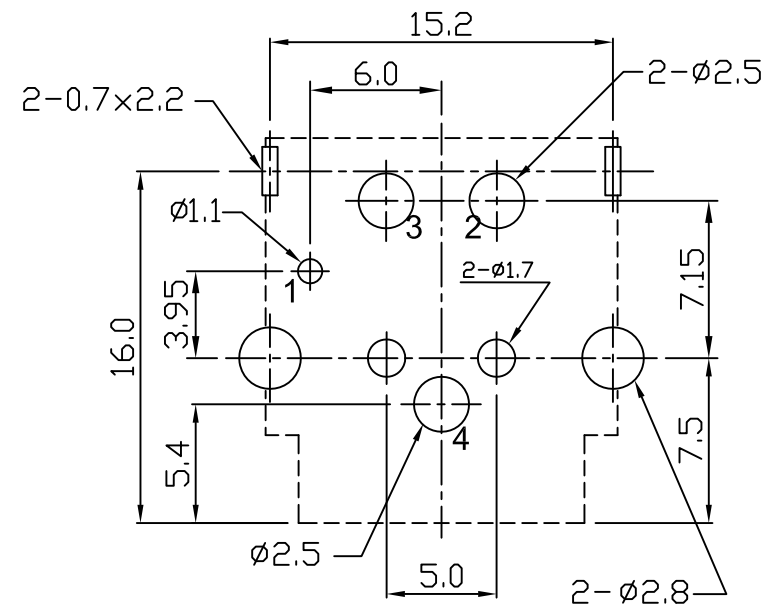
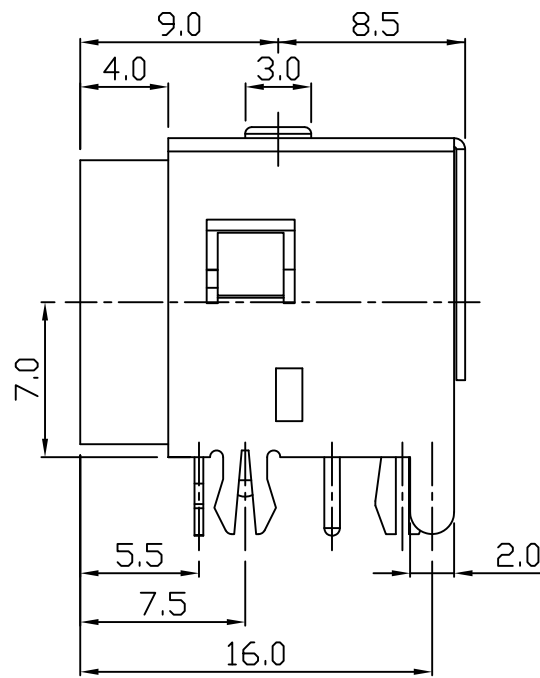
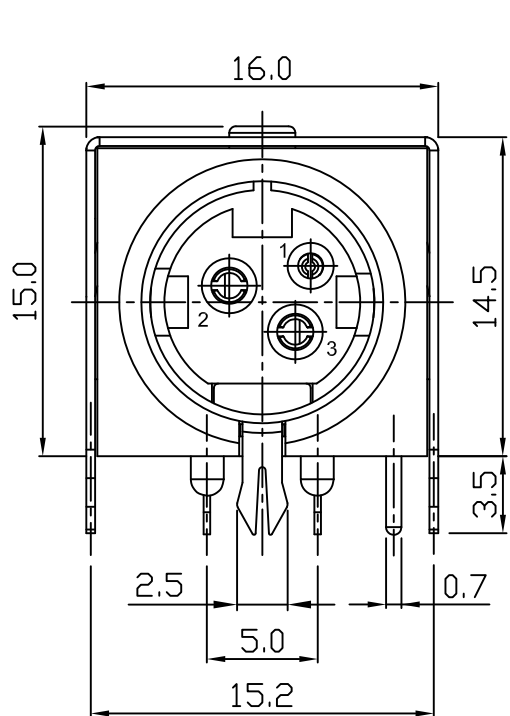
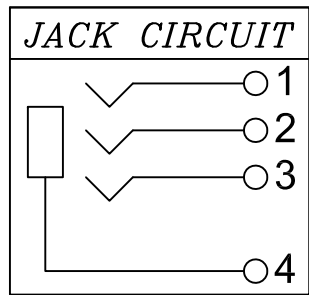


HISTORY X COUNT	DATE	ECN NO.	REV.	REVISION	SIGN.
△ x1	09/JAN/07'		B	修正鐵殼材質，BRASS改為SPCC。	Chris
△ x1	28/JUN/11'		C	修正LAYOUT視圖。	Chris



P.C.B LAYOUT(±0.1)
(BOTTOM VIEW) △



LIH SHENG PRECISION INDUSTRIAL CO., LTD.

NO	PART NAME	Q'TY	MATERIAL	PLATED	REMARK
5	HOUSING	1	PBT		BLACK
4	COVER	1	PBT		BLACK
3	SHIELD	1	SPCC △	Tin	
2	GROUND	1	BRASS	NICKEL	
1	CONTACT	3	BRASS	Tin	

TOLERANCE X. ±0.5 X.X ±0.3 X.XX ±0.15	Material		PART NAME	POWER JACK	
	Thickness		PART NO.	LA-2004A-3	
	Disposal		DATE	10/16/01'	REV:C
	UNIT	SCALE	DRAW	CHECK	APPROVED
	mm	3:1	LEE	Chris	Cooper