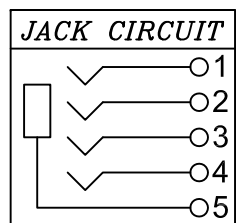
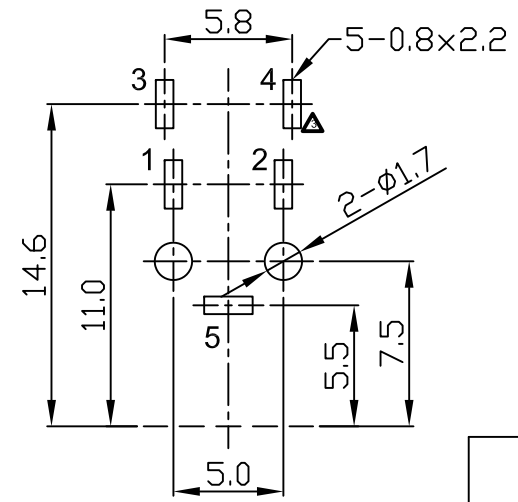
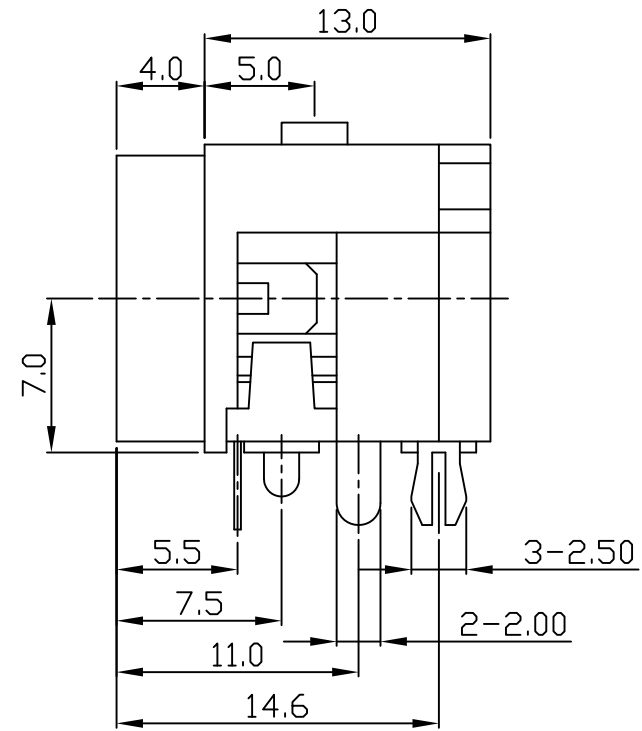
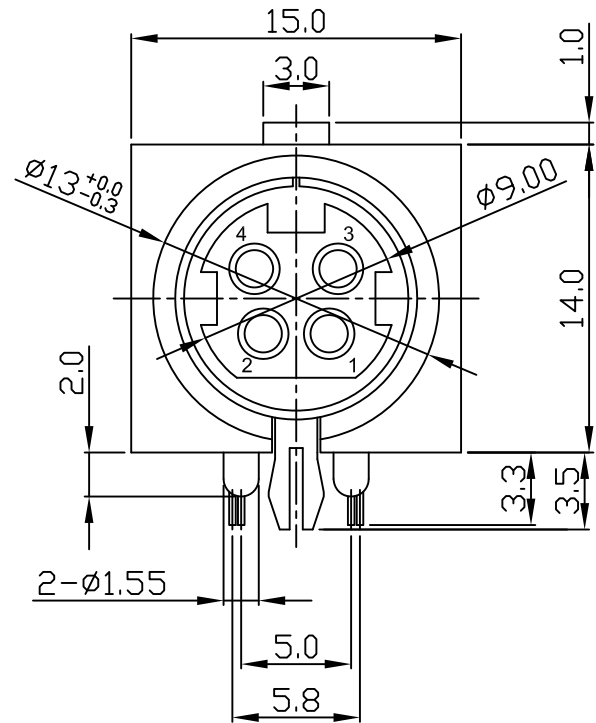


HISTORY X COUNT	DATE	ECN NO.	REV.	REVISION	SIGN.
▲	09/NOV/17		B	圖面重繪	Chris
▲	01/OEC/18		C	圖面重繪	Chris



P.C.B LAYOUT(±0.1)
(BOTTOM VIEW)



LIH SHENG PRECISION INDUSTRIAL CO., LTD.

NO	PART NAME	Q'TY	MATERIAL	PLATED	REMARK
4	COVER	1	PBT		Blskk
3	BODY	1	PBT		Black
2	INNER SHIELD	1	BRASS	Nickel	
1	CONTACT	4	BRASS	Tin	

<p>TOLERANCE</p> <p>X. ±0.5</p> <p>X.X ±0.3</p> <p>X.XX ±0.15</p>	Material		PART NAME	POWER JACK	
	Thickness		PART NO.	LA-2004-4	
	Disposal		DATE	25/MAY/94'	REV: C
	UNIT	SCALE	DRAW	CHECK	APPROVED
	mm	3:1	Chris	Wen1	Yen